

Valvola a sfera K attacco flangia - uscita filetto SMS

K ball valve flange - SMS male end

K Kugelventil Flansch - SMS G

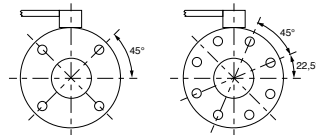
Vanne à boule K bride - bout fileté SMS

Válvula de bola K brida - macho SMS

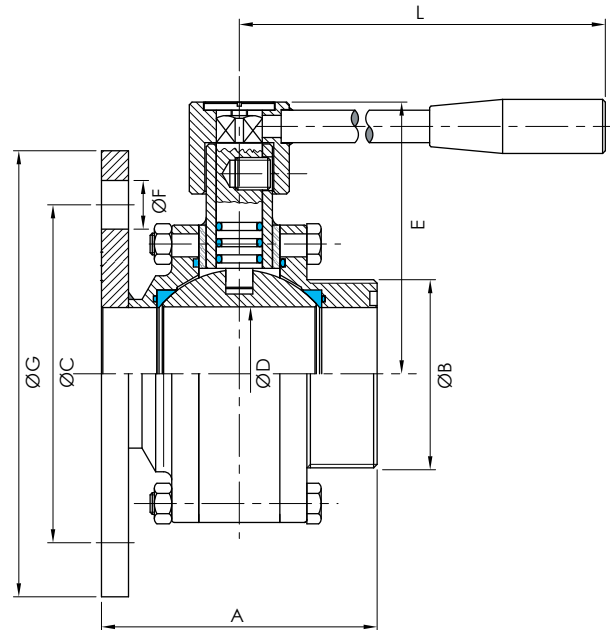
AISI 304 - 316

art. **49**

DN	A	B	C	D	E	F	G	H	L
25	96	40x1/6"	85	24	73.5	14	115	4	122
38	110	60x1/6"	110	35	95	18	150	4	180
51	110	70x1/6"	125	49.5	100.5	18	165	4	180
63	124	85x1/6"	145	57.5	125.5	18	185	4	266
76	124	98x1/6"	160	69	136.5	18	185	4	266
100R	216	125x1/6"	180	89	144.5	18	200	8	266



Posizione dei fori flangia rispetto alla valvola
 Position of the flange holes welded to the valve



Ver. 04.18

Valvola a sfera K a saldare SMS

K ball valve welding ends

K Kugelventil SMS S/S

Vanne à boule K bouts lisses SMS

Válvula de bola K soldar SMS

AISI 304 - 316

art. **50**

DN	A	B	C	D	E	F
25	88	28	28	24	73.5	122
38	102	38	38	35	95	180
51	102	51	51	49.5	100.5	180
63	114	64	64	57.5	125.5	266
76	114	76.5	76.5	69	136.5	266
100R	206	101	101	89	144.5	266

